

**INLINE**  
FIBERGLASS LTD.

30 CONSTELLATION COURT, ETOBICOKE, ONTARIO.

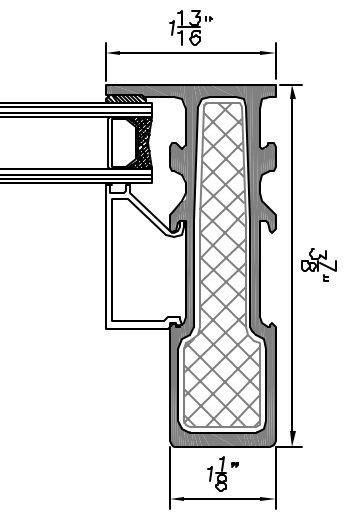
REVISIONS	
No.	Description

DATE

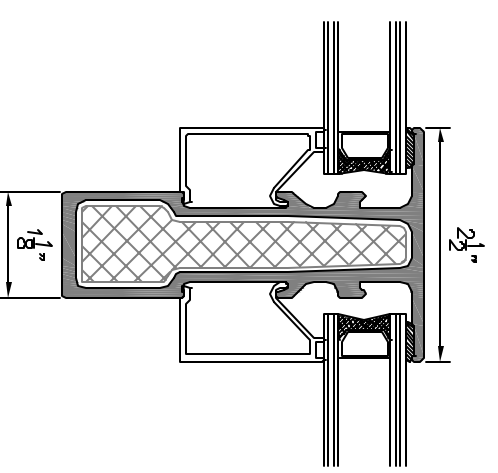
**SERIES 300  
WINDOWS**

DESIGNER	J.P.B.	DATE	APR 1, 2013
APPROVED	N.T.S.	DATE	
DESIGNED BY	L.B.	DATE	
REVISED BY	D	DATE	

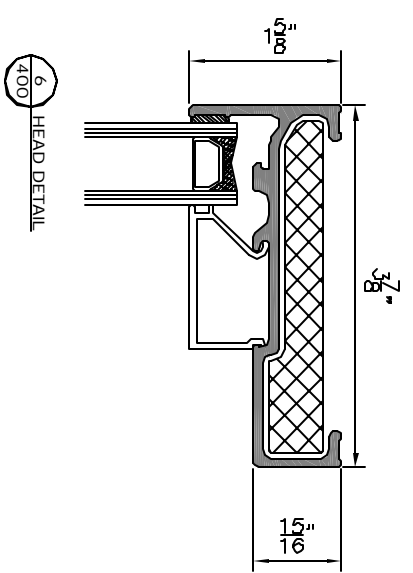
**400**



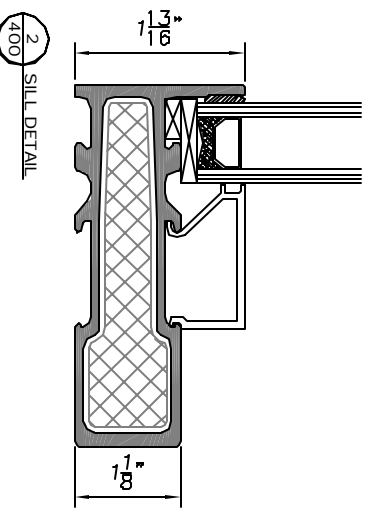
1 HEAD DETAIL  
400



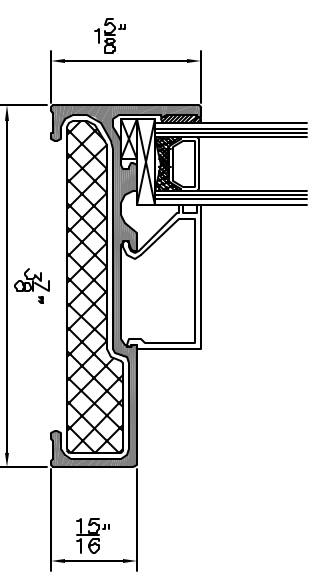
4 MULLION  
400



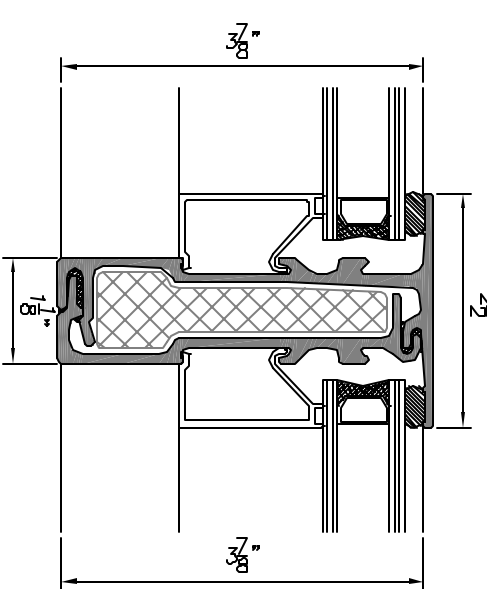
6 HEAD DETAIL  
400



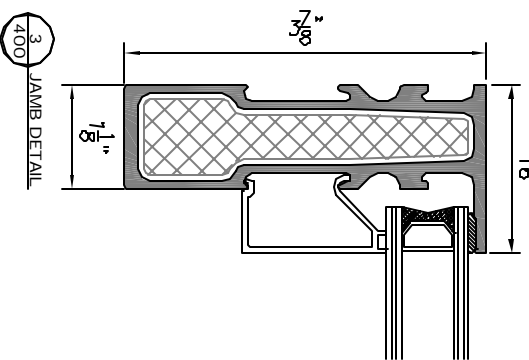
2 SILL DETAIL  
400



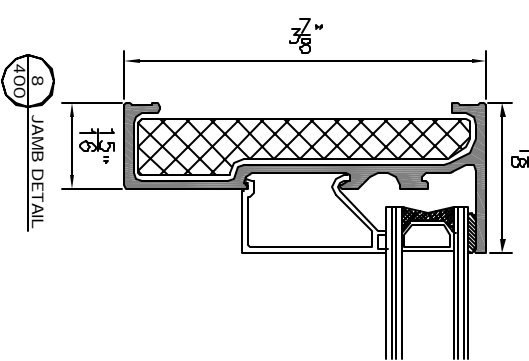
7 SILL DETAIL  
400



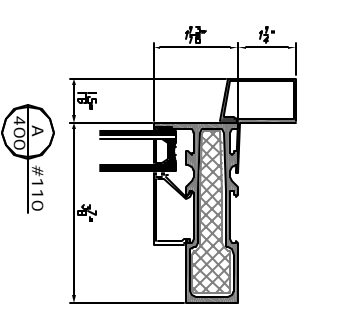
5 COUPLED MULLION  
400



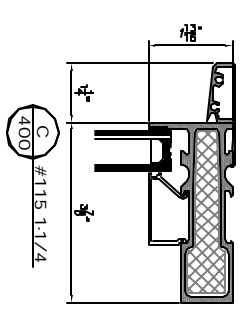
3 JAMB DETAIL  
400



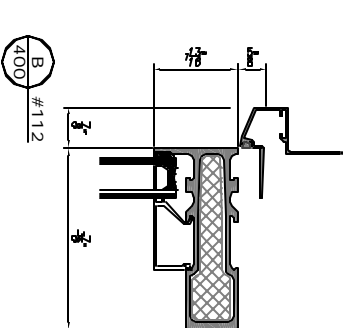
8 JAMB DETAIL  
400



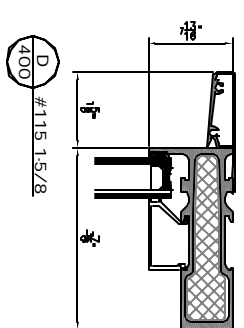
A #110  
400



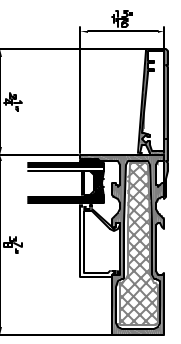
C #115 1-1/4  
400



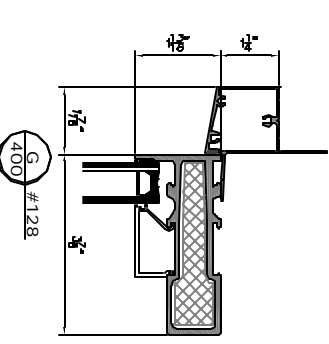
B #112  
400



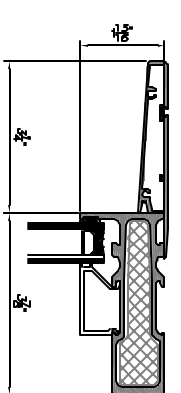
D #115 1-5/8  
400



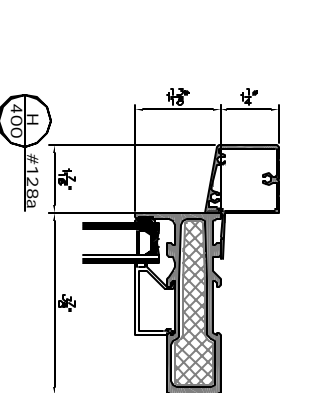
E #115 2-1/4  
400



G #128  
400



F #115 3-1/4  
400



H #128B  
400

