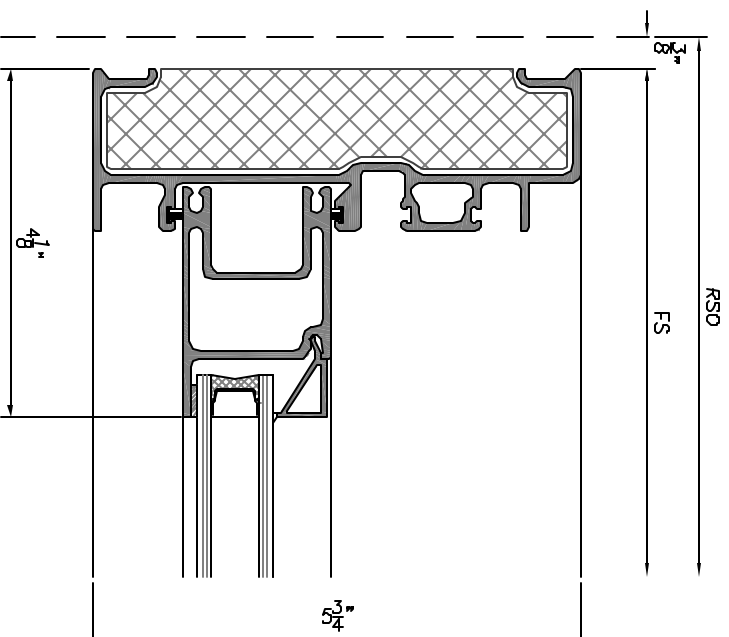
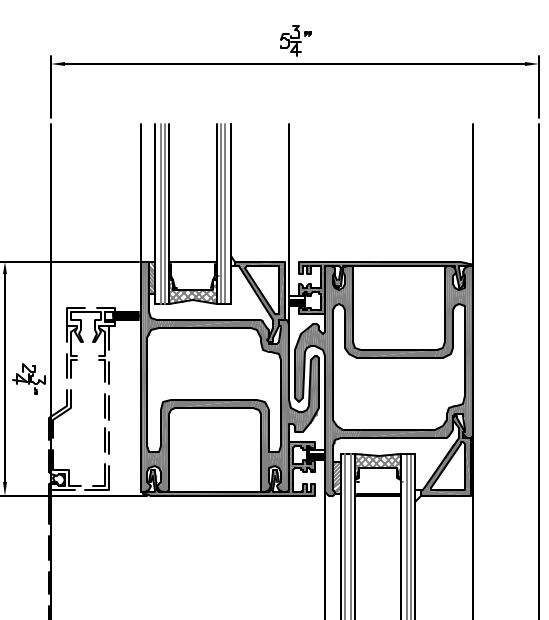


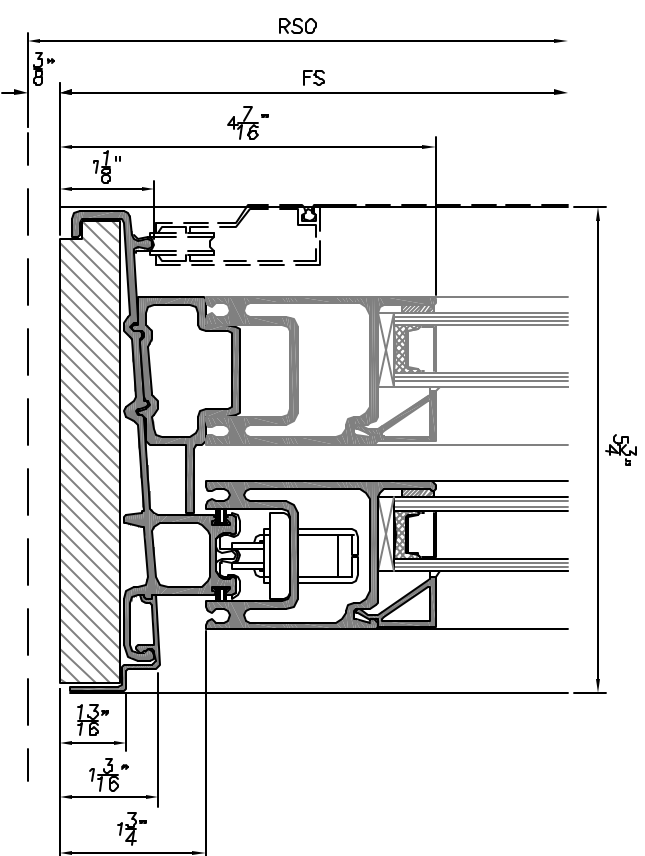
1 HEAD DETAIL  
SK2



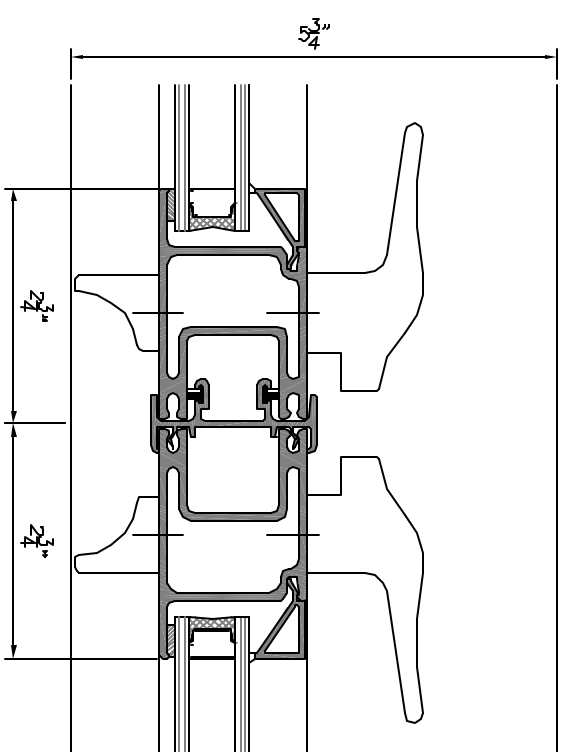
3/4 JAMB DETAIL  
SK2



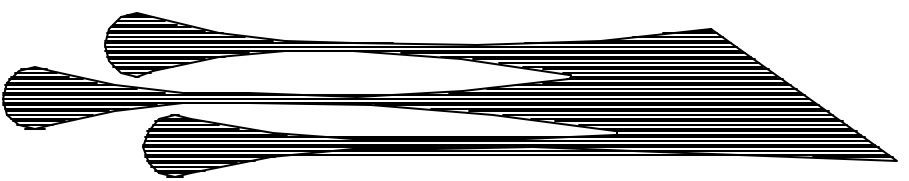
5 INTERMEDIATE DETAIL  
SK2



2 SILL DETAIL  
SK2



6 INTERMEDIATE DETAIL AT DOOR LOCK  
SK2



**INLINE**  
FIBERGLASS LTD.

810 CENTRALIZACIJSKI PUT, ZAGREB, HRVATSKA  
Tel: (4149) 679-1171 Fax: (4149) 679-1140

REVISIONS	DATE
No.   Description	

SYSTEM  
SERIES 600  
SLIDING DOOR

DATE	DESCRIPTION	BY
01.04.2013	N.T.S.	L.B.
0		

SK2